



# ***Easily Realizes Automatic Label Attachment to the Side Surface***

This unit is a side-mounted labeling machine that applies the label to the side surface of products in the post-packaging process.

Equipped with convenient functions that are simple to use at the production site, easily realizes high quality and efficiently automatic label attachment.

## **Productivity Improvement**

Changing production methods from the applying labels by hands to automatic labeling machine is contributed to productivity improvement.

## **Touchscreen**

Easy selection with the touchscreen when switching products.



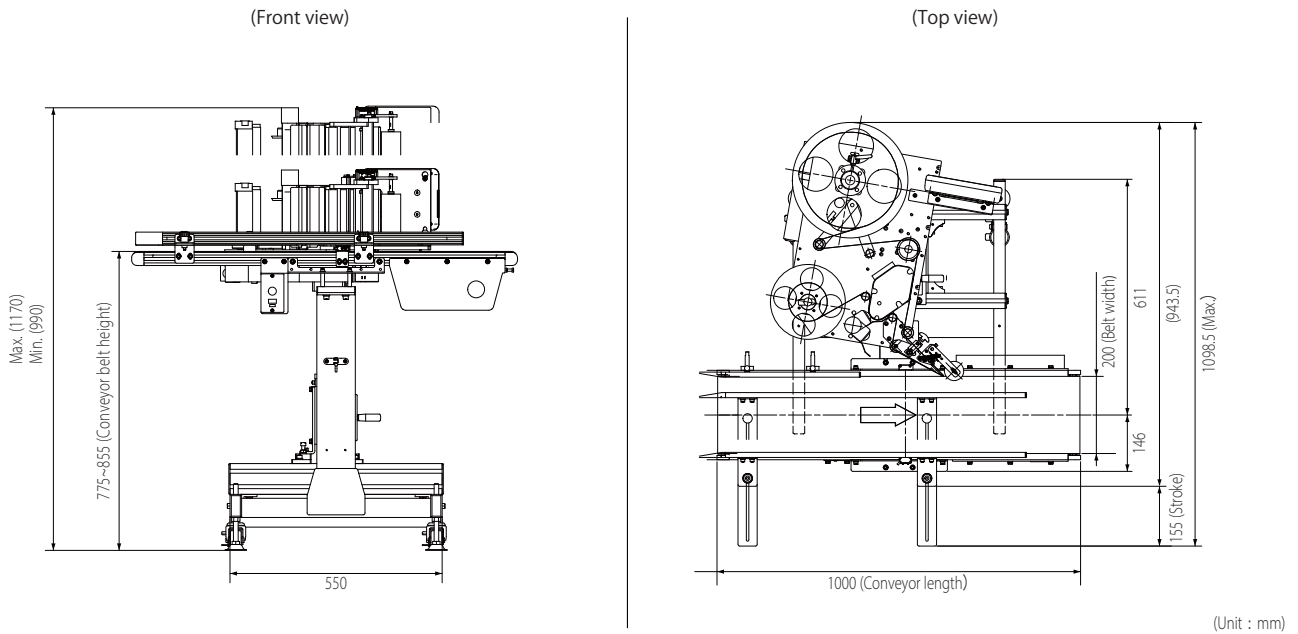
## **Variety Registration**

Settings each type of product can be registered such as label applying position, the amount of delay before applying labels, gap between labels and so on.

### **LABEL SPECIFICATION**

Label Width	15mm - 120mm
Basement Paper Width	18mm - 125mm
Label Length	15mm - 200mm
Label Roll	(O.D.) Maximum $\phi$ 300mm
Label Paper Core	(I.D.) $\phi$ 75mm

# Outline Dimensional Drawing (LMUe6000NS12-SB)



## Various Variations

LMUe6000 offers a stand type without a conveyor as well as a conveyor type, which is suitable for incorporation into production lines. Furthermore, we also handle the simultaneous installation of TTO that can be applied by printing the date on the label.

### Available In Great Variety Cases !!

- ✓ **Conveyor type** that can be easily used
- ✓ **Stand type** suitable for incorporation into a production
- ✓ **Printer-equipped type** that is printing the date on the label

For more details,  
please scan the  
QR code



## Proposals For Various Labeling Machines That Meet Diverse Needs!!



For Both Sides Labeling



For Wrap-Around Labeling



For Band Form Labeling



For Empty Bags Labeling

The specification may differ from conditions of use. Specification and other information are subject to change without notice.

 **EDM CORPORATION**

5-2,3-Chome Itabashi, Itabashi-ku, Tokyo, Japan

TEL : +81-3-3964-4852 FAX : +81-3-3962-1277

URL : <https://www.edm-net.co.jp/>

Agency