

# ***Realize Infinite Possibilities For Building Labeling System***

LMUe6000 is a standard model labeling machine of touch panel controller type. The labeling unit adopt module structure and it can meet various needs thanks to optional units.

## **Color Touch Panel Controller "EUI2"**

The controller is easy to understand touch panel formula. Simple selection on the touch panel at the time of type switching.

## **Variety Registration**

Such as a label affixed position, setting of each type can be registered. Quick variety switching is possible with EUI2.



Color Touch Panel Controller  
"EUI2"

## **Auto Tuning**

Label stopping position differs by the label length. Auto Tuning function can adjust the position automatically.

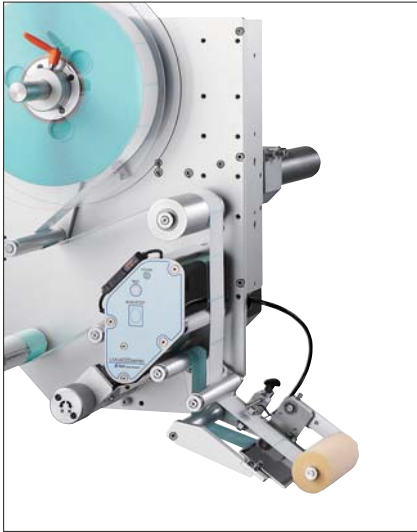
## **Log Information**

EUI2 operated log and error log are kept 3,000 latest each. In case of trouble, you can investigate the cause promptly.

## **Automatic Speed Detect Function (Optional)**

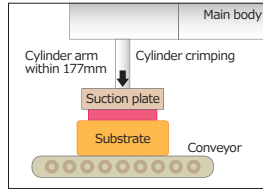
It can automatically detect the product speed without the encoder unit and can be installed into existing conveyor by bolt-on.

# Labeling Method Variations



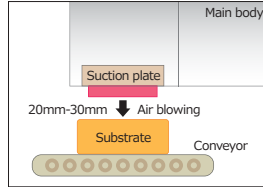
## Roller Type **LMUe6000N**

General type of labeling method. It can label on products in motion without stopping. The structure is simple and equipment cost is economical.



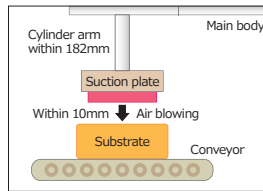
## Cylinder Type **LMUe6000A**

Labeling by extending cylinder arm with label absorbing head. It labels when the product stops moving. It is suitable for jobs requiring accuracy in label position.



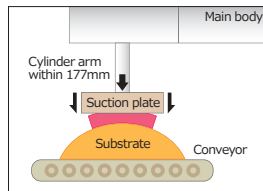
## Air Blow Type **LMUe6000B**

Labeling method is non-contact, air blow type. It can surely label on uneven or bumpy product surface.



## Cylinder Jet Type **LMUe6000CJ**

Attach by blowing air near the product with a cylinder. Suitable for labeling without stopping the transport to lightweight objects.

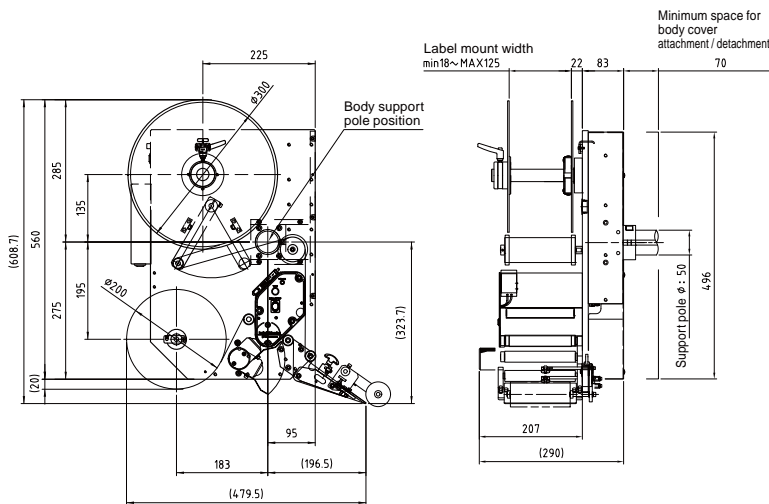


## Press Jet Type **LMUe6000PJ**

Attach by pressing against the product with a cylinder and blowing with an air jet at the same time. Ideal for applications that are securely attached to curved surfaces.

# Outline Dimensional Drawing

(LMUe6000N)



## SPECIFICATION

Model

LMUe6000N

Drive Method

Stepping Motor

Labeling Speed

2M/min-25M/min

Power Supply

AC100V-240V, 140VA, 50Hz/60Hz

Weight (Main Body)

20.4kg

Label Specification

Base Paper Width : 18mm - 125mm

Label Width : 15mm - 120mm

Label Length : 15mm - 200mm

Maximum Roll Diameter : (O.D.)  $\phi$  300mm

Inside Diameter : (I.D.)  $\phi$  75mm

Operating Environment: Temperature : 5°C-40°C Humidity : Under 90%RH (no dew condensation)

The specification may differ from conditions of use. Specification and other information are subject to change without notice.

**EDM CORPORATION**

5-2,3-Chome Itabashi, Itabashi-ku, Tokyo, Japan

TEL : +81-3-3964-4852 FAX : +81-3-3962-1277

URL : <https://www.edm-net.co.jp/>

Agency